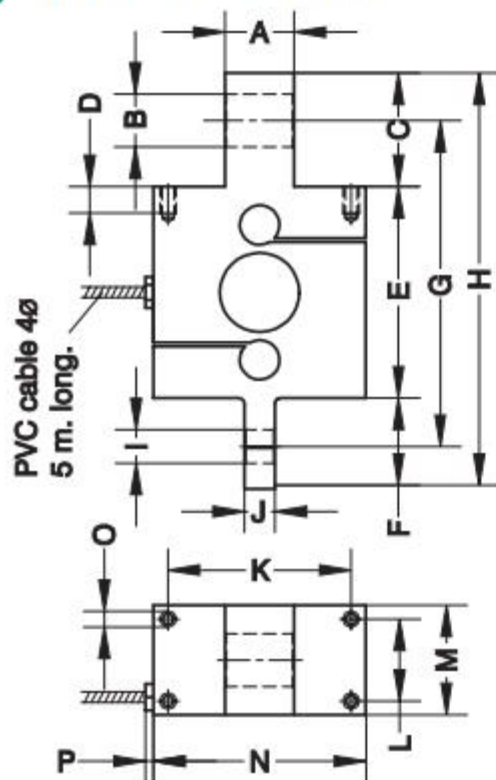
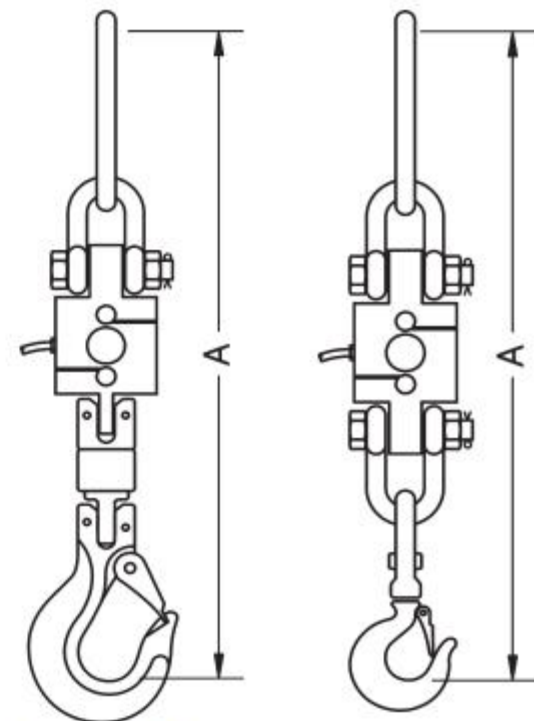




MODEL 540



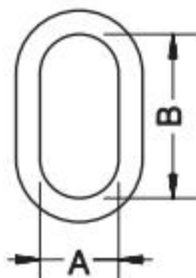
Nominal load Nennlast	2-3 t	6 t	10 t
Weight (kg) Gewicht (kg)	2.4	3.5	5.1
A	26	36	46
B ø	20	26	32.5
C	43	65	81
D	10	10	10
E	80	92	104
F	34.3	48.5	67
G	123.3	158	194
H	157.3	205.5	252
I ø	12.6	21	32.5
J	11.5	19	46
K	69	69	69
L	31	31	31
M	43.6	42	42.5
N	80	103	103
O	M-6	M-6	M-6
P	3	3	3



Nominal load Nennlast	A	Nominal load Nennlast	A
2-3 t	547	10 t	888
6 t	740		

END LINK ÖSE

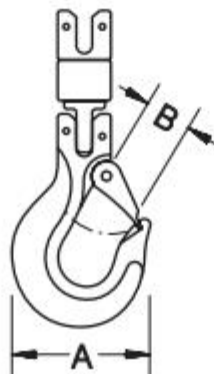
Ref. **549001** (2-3 t)
Ref. **549002** (6-10 t)



Nominal load Nennlast	Transp. weight Transp. gewicht	A	B
2-3 t	1 kg	70	140
6-10 t	2.2 kg	89	178

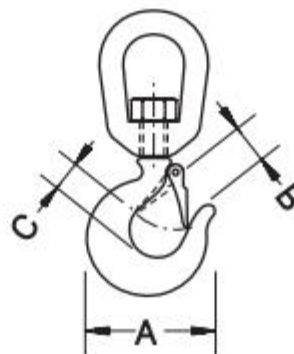
SWIVEL HOOK DREHHAKEN

With ball bearing *Mit Kugellager*
Ref. **549003** (2-3 t)
Ref. **549004** (6 t)



Nominal load Nennlast	Transp. weight Transp. gewicht	A	B
2-3 t	2.1 kg	118	35
6 t	4.4 kg	165	54

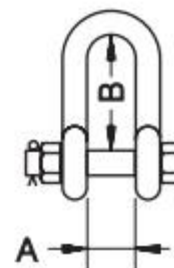
Without ball bearing *Ohne Kugellager*
Ref. **108002** (10 t)



Nominal load Nennlast	Transp. weight Transp. gewicht	A	B	C
10 t	7.3 kg	192	52.5	54

SHACKLE SCHÄKEL

Ref. **110001** (2-3 t)
Ref. **110002** (6 t)
Ref. **110004** (10 t)



Nominal load Nennlast	Transp. weight Transp. gewicht	A	B
2-3 t	0.75 kg	27	60
6 t	1.7 kg	36.5	85
10 t	3.8 kg	46	110